



www.es-toolbox.com  
 comercial@es-toolbox.com  
 Tlf. 609575762

Representative



## WM650 SERIES INDUSTRIAL SMALL TOP LOADING WASHING MACHINE



**COMPACT**  
DESIGN



**DETAILED**  
CLEANING



**MINIMUM**  
CONSUMPTION



**TECHNICAL**  
SERVICE

	WM650	WM650-L
Basket Diameter ( mm )	550	550
Loading Height ( mm )	250	350
Loading Capacity ( kg )	150	150
Tank Capacity ( L )	60	60
Pump Pressure ( bar )	2,5	2,5
Pump Capacity ( L / min )	200 - 220	200 - 220
Pump Quantity and Power	1 pc. x 3,0 Hp	1 pc. x 3,0 Hp
Heater ( kW )	4,5	4,5
Electricity ( V / Phase / Hz )	220 - 380 - 415 / 1 - 3 / 50 - 60	220 - 380 - 415 / 1 - 3 / 50 - 60
Process Timer ( min )	0 - 90	0 - 90
Working Temperature	0 - 80°C	0 - 80°C
Rotary Basket	s	s
AISI430 Stainless Steel Material	s	s
AISI304 Stainless Steel Material	o	o
AISI316 Stainless Steel Material	o	o
Packing Size and Weight ( mm - kg )	910 x 1080 x 1150 - 180 kg	910 x 1080 x 1250 - 200 kg

s standard o optional na not available

### SPECIFICATIONS

- Stainless Steel Body, Basket and Pipes
- Cleaning Process Timing
- Developed to save water, detergent and energy
- Minimum water consumption by closed circuit water cycling system
- Heated water (solution) dispensed through jet nozzles to the part
- High user safety on pneumatic pistons
- Belt-Pulley driven rotary table
- A water level sensor is used to protect the pumps and heaters against dry running.
- Heating elements are made of special material incoloy alloy
- European Electrical and Technical Components
- High-performance and reliable European Pump

### WORKING PRINCIPLE

The parts which will be washed with pressured hot water and detergent mixture are placed on a rotary basket in a closed cabinet. The washing process is done through water nozzles, which are timed and compressive according to part structure, dirtiness rate; they clean the waste, oil, and chip on dirty surfaces in various angles. Machine has been designed for minimum consuming the water, detergent, electric, and time (work force) with cyclic and filtering water system.



WM SERIES



# KSP®

## MACHINE TOOL DIVISION

### WM850-1000-1250 SERIES INDUSTRIAL TOP LOADING WASHING MACHINES



**COMPACT  
DESIGN**



**HIGH  
PERFORMANCE**



**MINIMUM  
CONSUMPTION**



**TECHNICAL  
SERVICE**

WM SERIES

8

	WM850	WM1000	WM1250
Basket Diameter ( mm )	750	900	1150
Loading Height ( mm )	350	450	600
Loading Capacity ( kg )	150	300	450
Tank Capacity ( L )	60	80	200
Pump Pressure ( bar )	2,5	2,5	2,5
Pump Capacity ( L / min )	200 - 220	200 - 220	200 - 220
Pump Quantity and Power	1 pc. x 3,0 Hp	1 pc. x 3,0 Hp	1 pc. x 3,0 Hp
Heater ( kW )	7,5	7,5	15
Electricity ( V / Phase / Hz )	220 - 380 - 415 / 1 - 3 / 50 - 60	220 - 380 - 415 / 1 - 3 / 50 - 60	220 - 380 - 415 / 1 - 3 / 50 - 60
Process Timer ( min )	0 - 90	0 - 90	0 - 90
Working Temperature	0 - 80°C	0 - 80°C	0 - 80°C
Loading Vehicle	na	o	s
Rotary Basket	s	s	s
Oil Skimmer	na	s	s
AISI430 Stainless Steel Material	s	s	s
AISI304 Stainless Steel Material	o	o	o
AISI316 Stainless Steel Material	o	o	o
Packing Size and Weight ( mm - kg )	1225 x 880 x 1265 - 180 kg	1360 x 1130 x 1310 - 250 kg	1570 x 1280 x 1550 - 450 kg

s standard o optional na not available



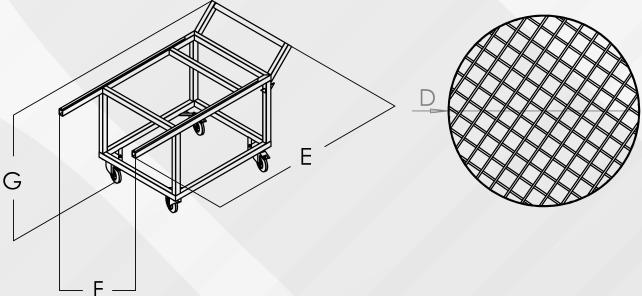
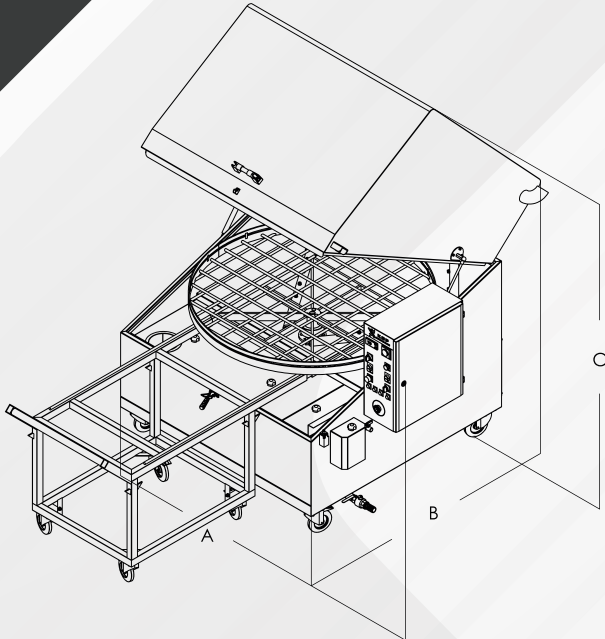


**SPECIFICATIONS**

- Stainless Steel Body, Basket and Pipes
- Cleaning Process Timing
- Developed to save water, detergent and energy
- Minimum water consumption by closed circuit water cycling system
- Heated water (solution) dispensed through jet nozzles to the part
- High user safety on pneumatic pistons
- Belt-Pulley driven rotary table
- A water level sensor is used to protect the pumps and heaters against dry running
- Heating elements are made of special material incoloy alloy
- European Electrical and Technical Components
- High-performance and reliable European Pump

**WORKING PRINCIPLE**

The parts which will be washed with pressured hot water and detergent mixture are placed on a rotary basket in a closed cabinet. The washing process is done through water nozzles, which are timed and compressive according to part structure, dirtiness rate; they clean the waste, oil, and chip on dirty surfaces in various angles. Machine has been designed for minimum consuming the water, detergent, electric, and time (work force) with cyclic and filtering water system.



	WM850	WM1000	WM1250
A	1200	1350	1575
B	1250	1350	1550
C	1575	1750	2050
C <sub>Close</sub>	1125	1170	1300
D	750	910	1150
E	X	X	1350
F	X	X	650
G	X	X	800

**WM1000-Eco**  
**WM1250-Eco**

**INDUSTRIAL TOP LOADING  
WASHING MACHINES**



**COMPACT  
DESIGN**



**HIGH  
PERFORMANCE**



**MINIMUM  
CONSUMPTION**



**TECHNICAL  
SERVICE**

	<b>WM1000-Eco</b>	<b>WM1250-Eco</b>
Basket Diameter (mm)	900	1150
Loading Height (mm)	450	600
Loading Capacity (kg)	300	450
Tank Capacity (lt)	80	200
Pump Pressure (bar)	3	3
Pump Capacity (L/min)	200-220	200-220
Pumps Quantity and Power	1 pc. x 3,0 Hp	1 pc. x 3,0 Hp
Heater (kW)	7,5	2 x 7,5
Electricity (V/phase/Hz)	380 / 3 / 50	380 / 3 / 50
Electrical Control Voltage (V)	24	24
Process Timer (min)	0 - 30	0 - 30
Working Temperature	0 - 90°C	0 - 90°C
Loading Vehicle	not available	standard
Rotary Basket	standard	standard
AISI430 Stainless Steel Material	standard	standard



**Before**

**After**



**Affordable price, high quality!**



**KSP**®

**MACHINE TOOL DIVISION**

WM1500-1750-2000 SERIES  
**INDUSTRIAL FRONT LOADING  
WASHING MACHINES**



**COMPACT  
DESIGN**



**HIGH  
PERFORMANCE**



**MINIMUM  
CONSUMPTION**



**TECHNICAL  
SERVICE**

WM SERIES

10

	WM1500	WM1750	WM2000
Basket Diameter ( mm )	1350	1600	1850
Loading Height ( mm )	700	800	900
Loading Capacity ( kg )	650	750	850
Tank Capacity ( L )	300	300	400
Pump Pressure ( bar )	2,5	2,5	2,5
Pump Capacity ( L / min )	200 - 220 ( Total: 400-450 )	200 - 220 ( Total: 600-650 )	200 - 220 ( Total: 600-650 )
Pump Quantity and Power	2 pcs. x 3,0 Hp	3 pcs. x 3,0 Hp	3 pcs. x 3,0 Hp
Heater ( kW )	15	15	22,5
Electricity ( V / Phase / Hz )	220 - 380 - 415 / 1 - 3 / 50 - 60	220 - 380 - 415 / 1 - 3 / 50 - 60	220 - 380 - 415 / 1 - 3 / 50 - 60
Process Timer ( min )	0 - 90	0 - 90	0 - 90
Working Temperature	0 - 80°C	0 - 80°C	0 - 80°C
Loading Vehicle	s	s	s
Rotary Basket	s	s	s
Oil Skimmer	s	s	s
Drying Unit	o	o	o
30" Precision Bag Filter System	o	o	o
30" Precision Cartridge Filter System	o	o	o
Safety Light Barrier	o	o	o
Process Height Adjustment System	o	o	o
Automatic Basket Loading System	o	o	o
Steam Extraction System	o	o	o
Mist Collector Unit	o	o	o
PLC Control and Touch-Screen	o	o	o
Water Level Control and Automatic Feeding	s	s	s
AISI430 Stainless Steel Material	s	s	s
AISI304 Stainless Steel Material	o	o	o
AISI316 Stainless Steel Material	o	o	o
Packing Size and Weight ( mm - kg )	1970 x 1610 x 2220 - 700 kg	2230 x 1990 x 2220 - 750 kg	2480 x 2210 x 2500 - 800 kg

s standard o optional na not available

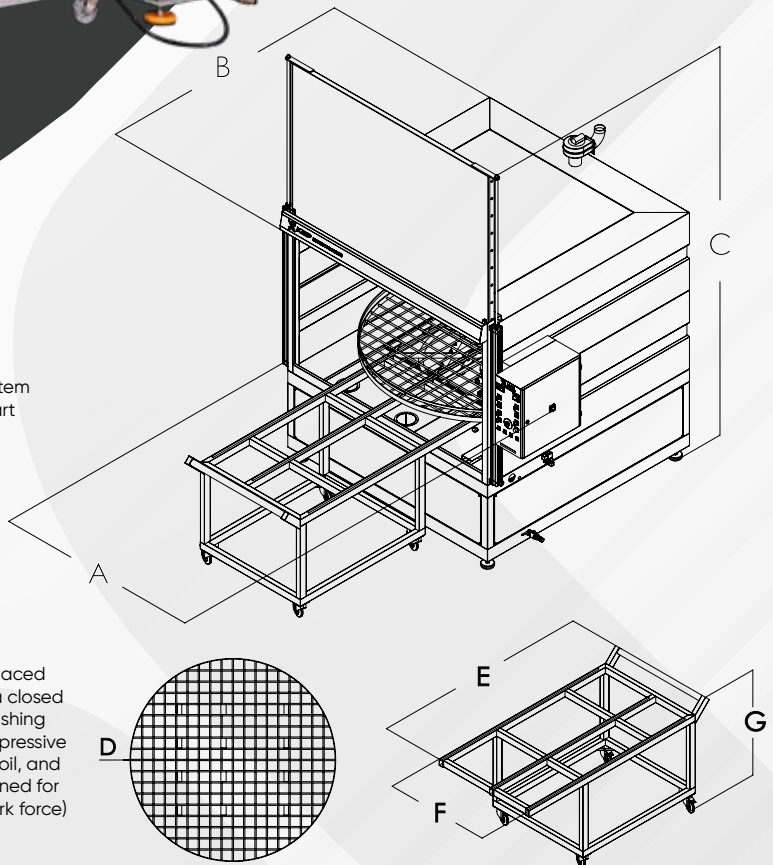


**SPECIFICATIONS**

- Stainless Steel Body, Basket and Pipes
- Cleaning Process Timing
- Developed to save water, detergent and energy
- Minimum water consumption by closed circuit water cycling system
- Heated water (solution) dispensed through jet nozzles to the part
- High user safety on pneumatic pistons
- Belt-Pulley driven rotary table
- A water level sensor is used to protect the pumps and heaters against dry running
- Heating elements are made of special material incoloy alloy
- European Electrical and Technical Components
- High-performance and reliable European Pumps
- Pneumatic Front Door System

**WORKING PRINCIPLE**

The parts which will be washed are placed on a basket that is placed on a stainless rotary platform with sliding system are washed in a closed cabinet with pressured hot water and detergent mixture. The washing process is done through water nozzles which are timed and compressive according to part structure, dirtiness rate; they clean the waste, oil, and chip on dirty surfaces in various angles. Machine has been designed for minimum consuming the water, detergent, electric, and time (work force) with cyclic and filtering water system.



	WM1500	WM1750	WM2000
A	1950	2200	2450
B	1600	1900	2100
C	3000	3000	3475
C <sub>close</sub>	2075	2100	2375
D	1350	1600	1850
E	1500	1750	2000
F	850	850	1000
G	1000	1050	1050





KSP Machine CO., serving to national and international market since 1998 with Industrial Parts Washing Systems, Degreasing Systems, Deburring Systems and Surface Treatment Systems. Throughout the years we have served, which has made us leading company in the national / international market with product quality and quality service approach.

KSP Machine offers the most suitable solutions to its customers in the field of engineering and manufacturing, if the products are subjected to washing, degreasing, phosphating, deburring, passivation, coating or any surface application process at any stage during the production process. KSP Machine, offers complete solutions to its customers through its Machinery and Automation Engineers.

KSP is increasing its export figures day by day, with more than 24 years of experience, high engineering knowledge, service quality and innovative management approach. KSP has become a reliable company with its qualified international dealers and exporting to more than 85 countries, as a result of QUALITY AND CONFIDENCE based service concept. KSP has become a followed company among international competitors by using the latest technology and making R&D.





#### QUALITY

- KSP Machine, on time with a quality beyond customer expectations delivering customer satisfaction.
- Adapting quality management as a lifestyle and to carry out all activities accordingly.
- Examining the Quality Management System with the principle of continuous improvement and to make necessary corrections.
- Supporting continuous improvement of employees' training needs and to ensure their effectiveness.
- Being a respected company in the NATIONAL market and then in the INTERNATIONAL market depending on the process.
- Being an environmentally sensitive company in all its activities.
- Acting in accordance with customer and / or international standards in the production process.
- Complying with the requirements of CE, ISO9001 and ISO140001 Quality Management System, to ensure the continuity of the quality management system and to update the quality targets according to the conditions of the day in order to reach the determined quality targets.
- Ensure that the Quality Management System is adopted by all employees and updated in accordance with their progress in the process.



#### PRECISION CLEANING

Precision cleaning, which is of great importance especially in medicine, optics, dentistry and aviation, is needed in many sectors. With our Cleaning Systems and many other systems used for washing small or complex products, we can meet all your needs at the precise cleaning point. Our Cleaning Systems and other systems not only provide precise cleaning but also save time and energy. In addition, the cleaning chemicals used are water-based and our systems are environmentally friendly.



#### SOLUTION PARTNER

KSP Machine, with 20 years of engineering and manufacturing experience, is committed to finding solutions to all problems of its customers in terms of parts cleaning. KSP will be your solution partner with its High Performance, Qualified & Quality Service, Flexible, Fast, responsive solutions and customer satisfaction principles as a result of these. Most of manufacturing methods such as painting, welding, assembling or packaging needs degreasing, deburring, lubrication, passivation or similar processes. We can offer various processes according to your needs. KSP is always the right solution partner to provide you the necessary cleaning systems for various manufacturing methods of yours. We are able to solve your cleaning needs with our standard products that has been manufactured so far. In the event that our existing systems are inadequate, we would like to state that we can offer you the most suitable washing system with our experience and ability.

#### Industrial Washing Machines and Systems manufactured by KSP Machine;

- Multi-Process Washing- Rinsing- Drying Machines,
- Tunnel Type Conveyor Series Washing Machines,
- Multi-Station Belt Type Washing Systems,
- Cabin Type Automatic Multiple Washing Processes,
- Top Loading High Pressure Spray Washing System with Rotary Basket,
- Front Loading High Pressure Spray Washing System with Rotary Basket,
- Diesel Particulate Filter Cleaning Machines,
- High Pressure Cabin Washing Machines,
- Platform Agitation Washings,
- Ultrasonic Cleaning Machines,
- Multistage Ultrasonic Cleaning System,
- Robot Transport Ultrasonic Cleaning System.

#### The sectors we serve as KSP are;

- Industrial Parts Washing Machines and Systems
- Automotive Repair and Maintenance Stations
- Equipment Cleaning Machines
- Aviation and Defense Industry
- Transportation and Logistics Industry
- Heavy Duty Sector
- Machining Sector
- Food Industry
- Electrical and Electronics Industry
- Medical, Optics and Dentistry
- Metalwork, Coating and Pre-Paint Preparation Systems
- Coating and Phosphate Systems
- Surface Treatment Systems

